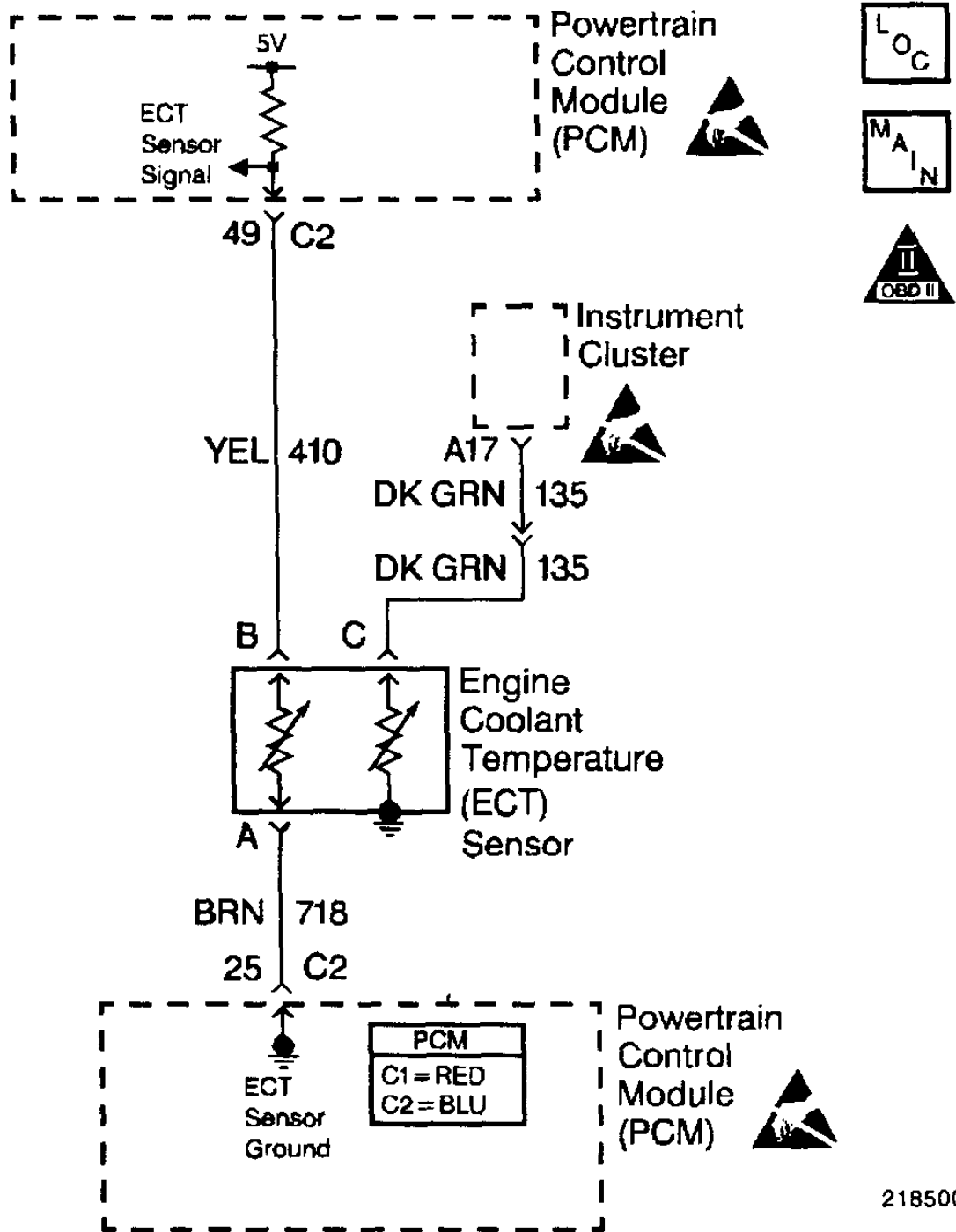


1998 Chevrolet Camaro V8-5.7L VIN G

Vehicle > Powertrain Management > Sensors and Switches - Powertrain Management > Sensors and Switches - Computers and Control Systems > Coolant Temperature Sensor/Switch (For Computer) > Diagrams



218500